



PHONE: 704.533.3651

HUDSON Vinyl Rails

FENCE SUPPLY, INC.

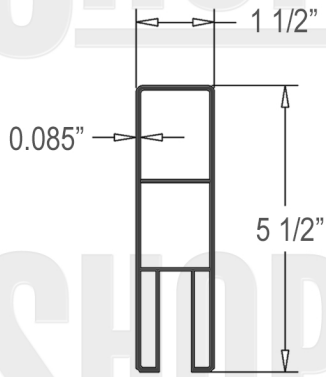
VMA Certified Material: PVC (Polyvinyl Chloride) • UV Protection: Color Retention Infused Technology • 94" Length

CHOOSE COLOR

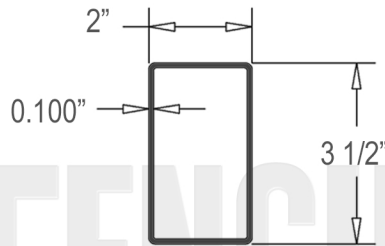


White • Tan

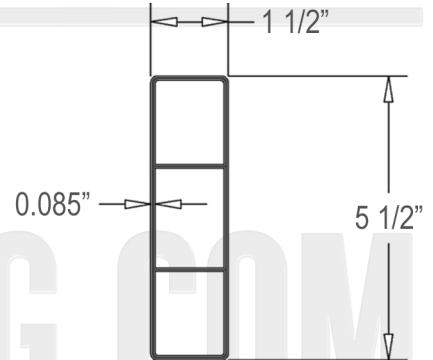
CHOOSE SIZE



5 1/2" x 1 1/2" Pocket



2" x 3 1/2"



5 1/2" x 1 1/2"

