



PHONE: 704.533.3651

HUDSON Vinyl Pickets

ENCE SUPPLY, INC.

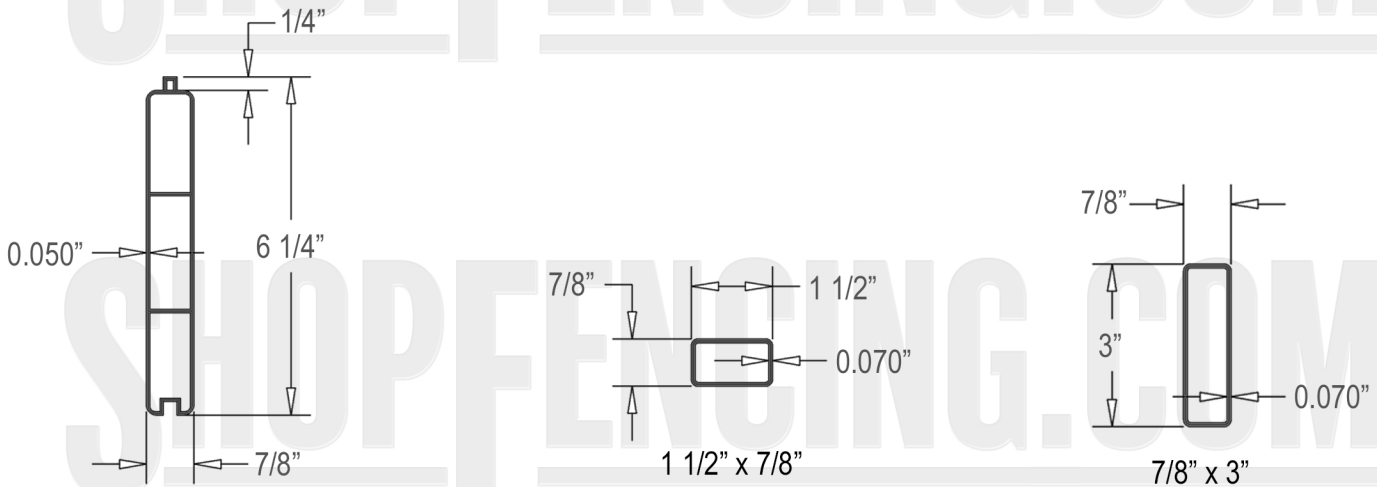
VMA Certified Material: PVC (Polyvinyl Chloride) • UV Protection: Color Retention Infused Technology • 72" Length

CHOOSE COLOR



White • Tan

CHOOSE SIZE



6" x 7/8" Tongue & Groove

