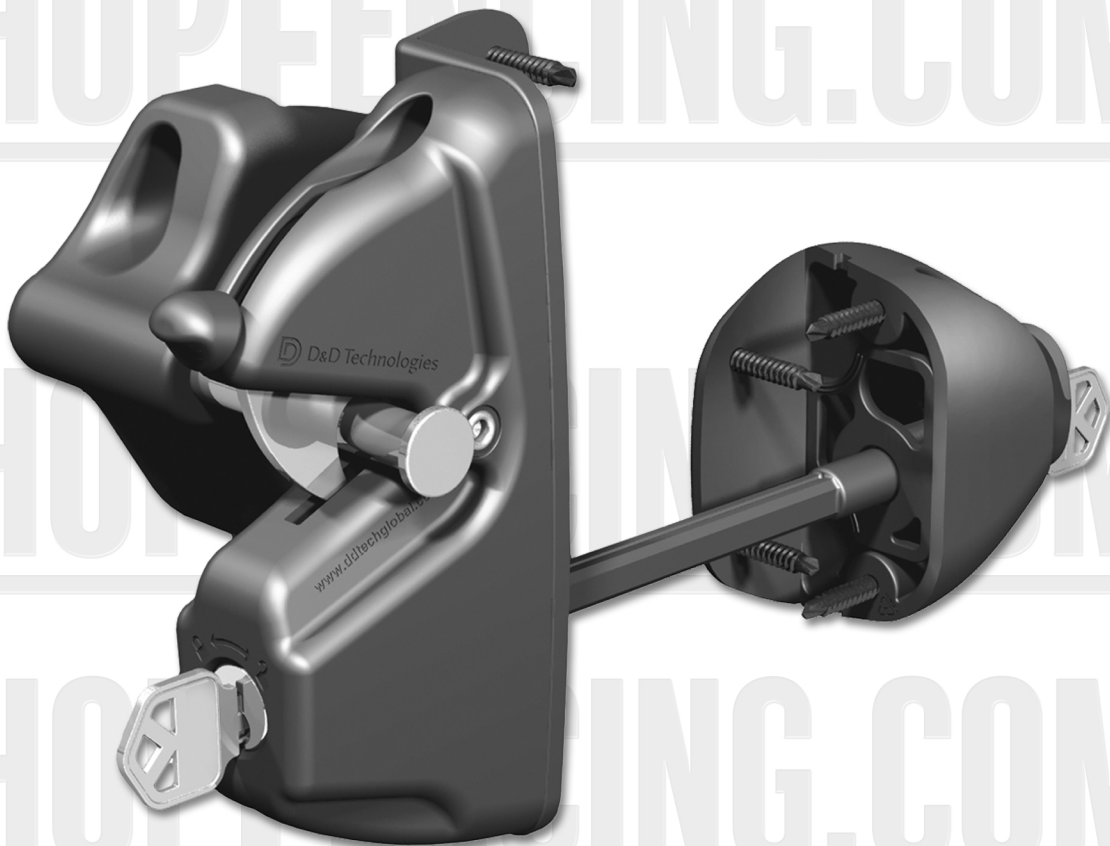


 **D&D Technologies** LokkLatch Deluxe Latch
Hi-Performance Hardware

Strong 100% Rust Proof • Quick & Easy Install • Fully Adjustable • Security Lock • Material: Stainless Steel & Polymer
Dual 6 Pin Re-Keyable Locks • Limited Lifetime Warranty • Available In Black or White • Fits Fence Posts Up To 6" Deep
Optional External Access Kit For Two Sided Operation • Includes Latch & Mounting Screws

CHOOSE COLOR



The LokkLatch Deluxe with strong, molded polymer construction with stainless steel components, takes an innovative approach to the gravity latch principle and combines the unique benefits of key-lockability and reliable latching action with superior design and rust-proof components. The External Push-Button Access allows the gate to be opened and locked from either side of the fence.